

## 2.5G SMD Transformer

Part Number: 24103SGS

Page: 1/2

- Compliant with IEEE 802.3 standard.
- RoHS compliant.
- Operating temperature range: -40°C to +85°C.
- Storage temperature range: -20°C to +125°C

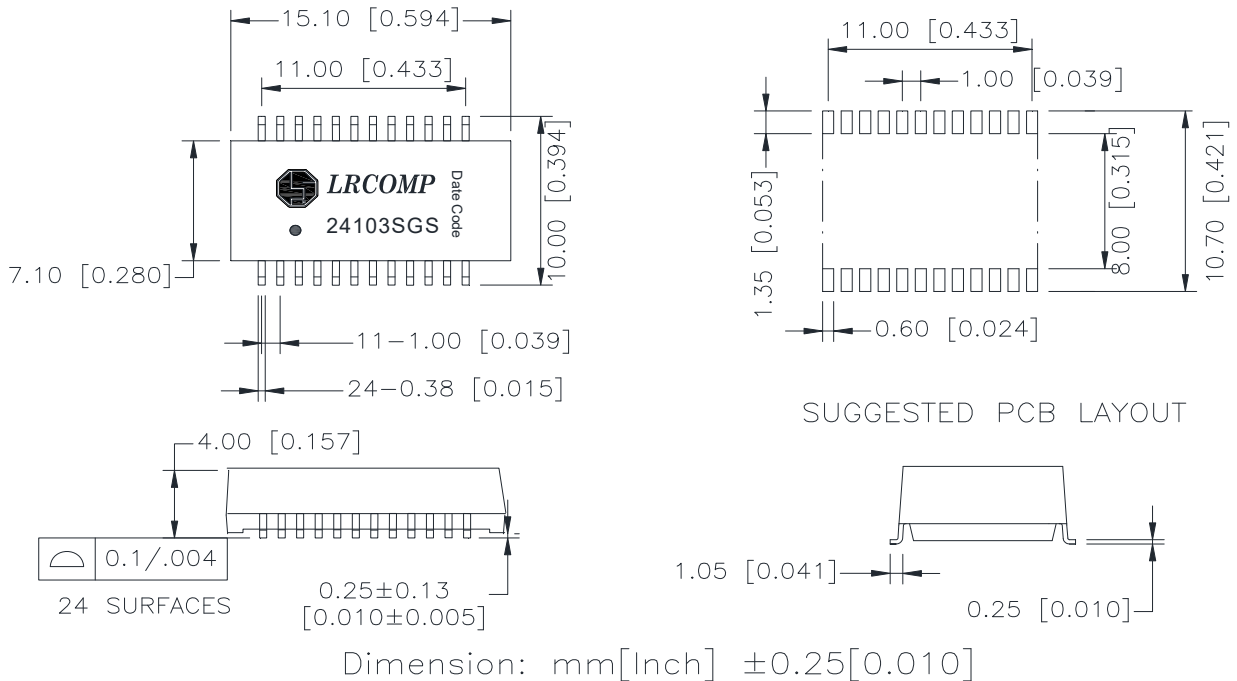
### Electrical Specifications @ 25°C

Part Number	Turns Ratio (±5%)		OCL(uH Min) @100KHz/0.1V	Insertion Loss (dB Max)		DCMR (dB Min) 1-200MHz	HI-POT (Vrms)
	TX	RX		1-100MHz	100-200MHz		
24103SGS	1CT:1CT	1CT:1CT	180	-1.0	-1.5	-27	1500

### Continue

Part Number	Return Loss (dB Min)			Cross Talk (dB Min)		
	1-40MHz	40-100MHz	100-200MHz	40MHz	100MHz	200MHz
24103SGS	-18	-14	-9.5	-35	-30	-27

### Schematics:

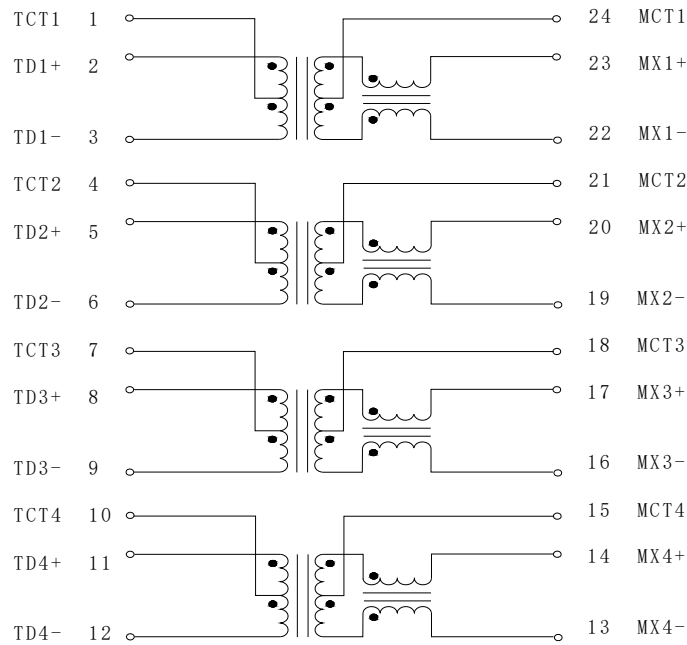


## 2.5G SMD Transformer

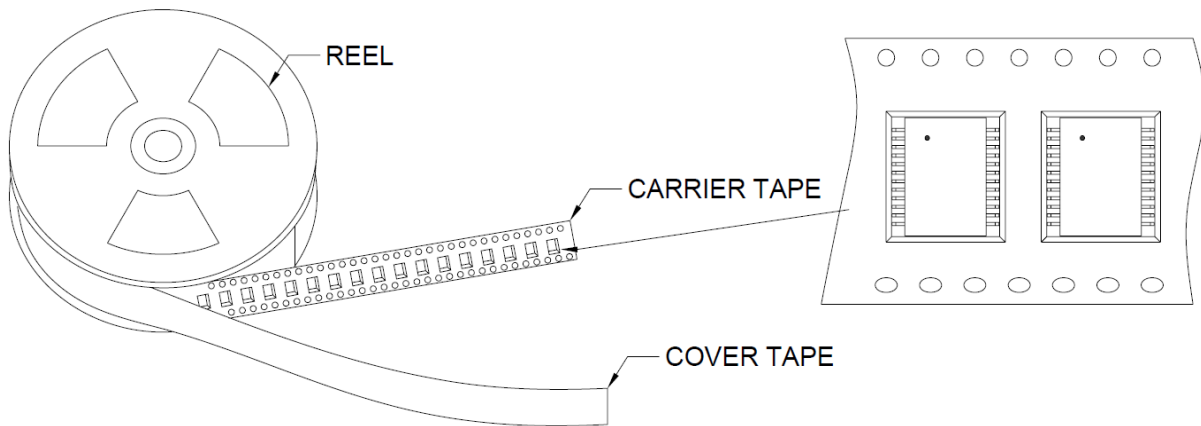
Part Number: 24103SGS

Page: 2/2

### Schematics:



### Package:



Quantity per reel: 800 pcs

Quantity per big carton: 6400 pcs