

10G SMD Transformer

Part Number: 24105SV

Page: 1/2

- Compliant with IEEE 802.3 standard.
- RoHS compliant.
- Operating temperature range: 0°C to +70°C.
- Storage temperature range:-20°C to +125°C

Electrical Specifications @ 25°C

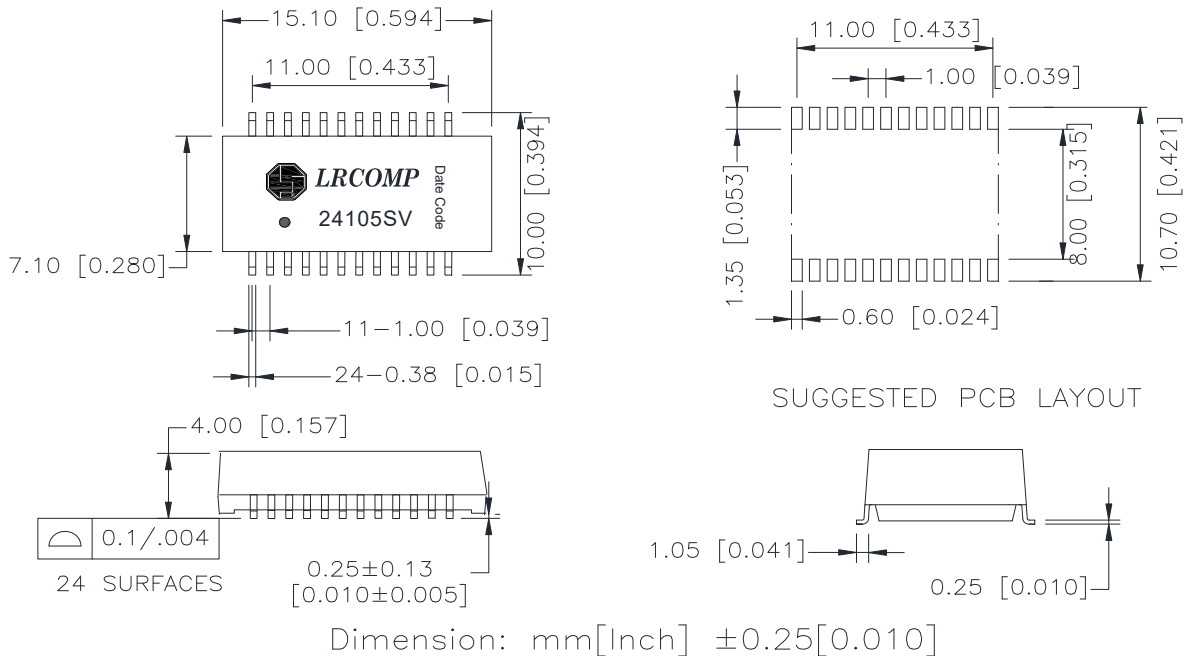
Part Number	Turns Ratio (±5%)		OCL(uH Min) @100KHz/0.1V	Insertion Loss (dB Max)		HI-POT (Vrms)
	TX	RX		1-200MHz	200-500MHz	
24105SV	1CT:1CT	1CT:1CT	120	-1.5	-3.0	1500

Continue

Part Number	Return Loss (dB Min)		DCMR (dB Min)		Cross Talk (dB Min)	
	1-40MHz	40-500MHz	1-100MHz	100-500MHz	1-100MHz	100-500MHz
24105SV	-16	-16+10*lg(f/40)	-30	-22	-30	-25

Note: f is frequency in MHz.

Schematics:

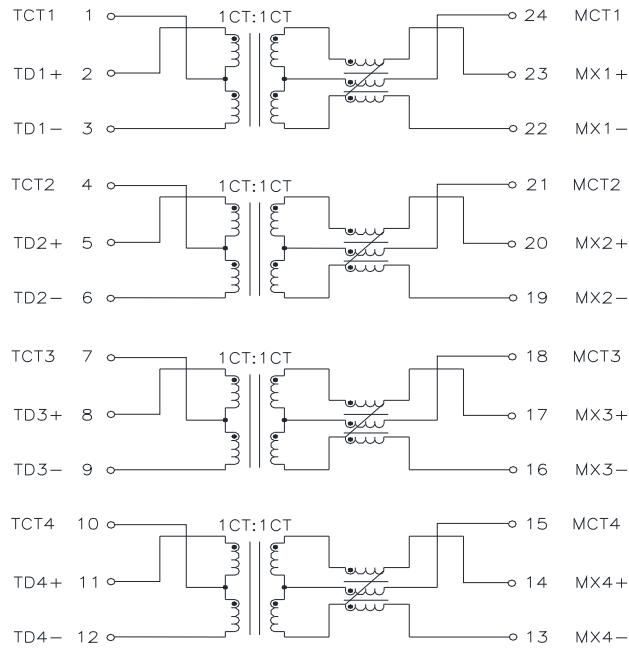


10G SMD Transformer

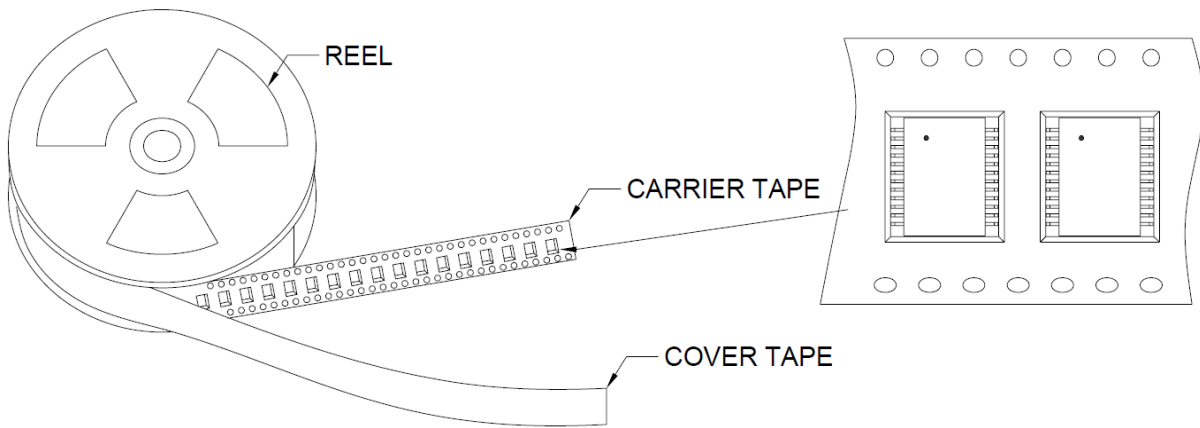
Part Number: 24105SV

Page: 2/2

Schematics:



Package:



Quantity per reel: 800 pcs

Quantity per big carton: 4800 pcs