

10/100/1000Base SMD Transformer

Part Number: 24131SG

Page: 1/2

- Compliant with IEEE 802.3 standard.
- RoHS compliant.
- Power over Ethernet(PoE) Magnetics,30W@57V.
- Operating temperature range: -40°C to +85°C.
- Storage temperature range:-20°C to +125°C

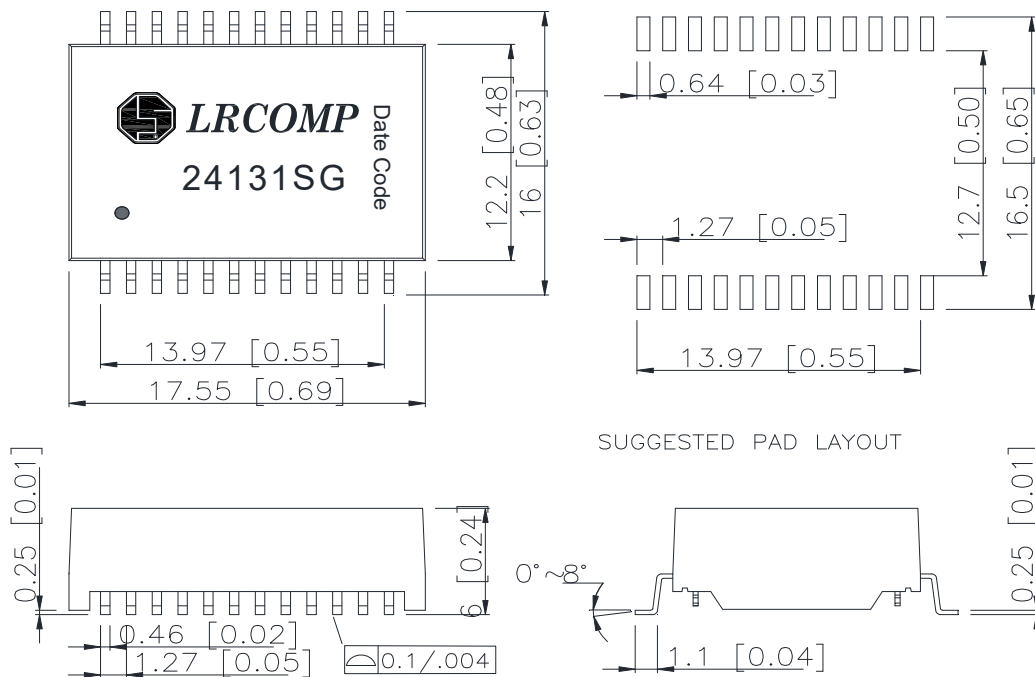
Electrical Specifications @ 25°C

Part Number	Turns Ratio (±5%)		OCL(uH Min) @100KHz/0.1V with 8.0mA DC	Insertion Loss (dB Max) 1-100MHz	DCMR (dB Min) 1-100MHz	HI-POT (Vrms) 1500
	TX	RX				
24131SG	1CT:1CT	1CT:1CT	350	-1.0	-30	1500

Continue

Part Number	Return Loss (dB Min)					Cross Talk (dB Min)		
	1-30MHz	40MHz	50MHz	60-80MHz	100MHz	30MHz	60MHz	100MHz
24131SG	-18	-14.4	-13.1	-12	-10	-40	-35	-30

Schematics:



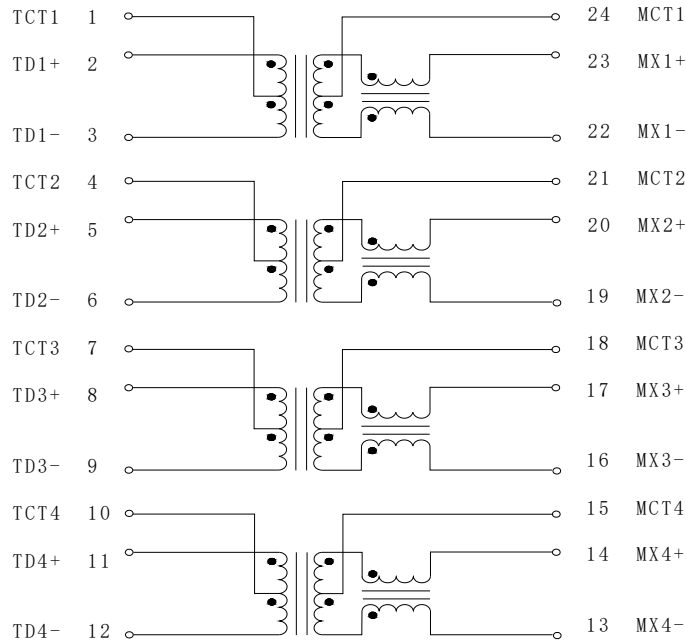
Dimension: mm [Inch] xx.xx±0.25 [0.01]

10/100/1000Base SMD Transformer

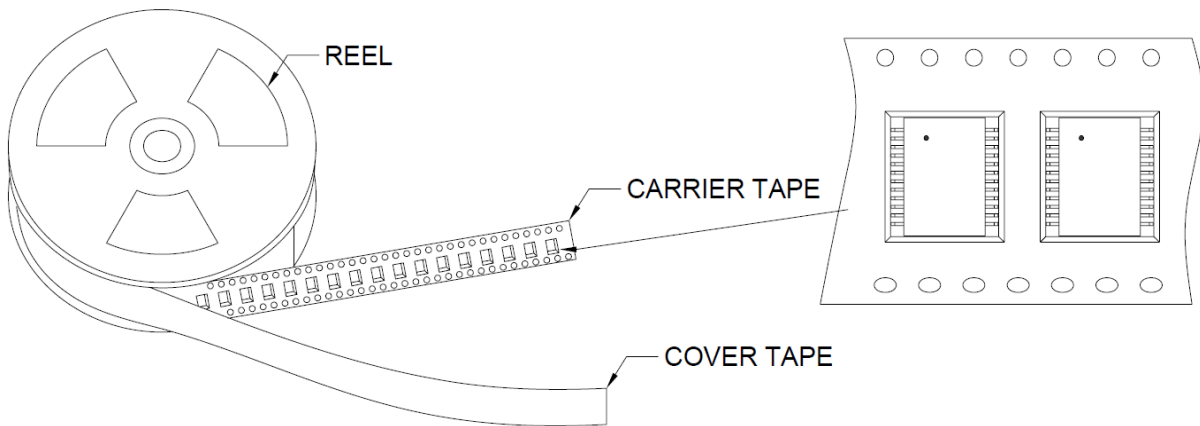
Part Number: 24131SG

Page: 2/2

Schematics:



Package:



Quantity per reel: 400 pcs

Quantity per big carton: 2000 pcs