

## 5G SMD Transformer

Part Number: 24131SGQ

Page: 1/2

- Compliant with IEEE 802.3at standard.
- RoHS compliant.
- Power over Ethernet(PoE) Magnetics,720mA current capability.
- Operating temperature range: -40°C to +85°C.
- Storage temperature range:-20°C to +125°C

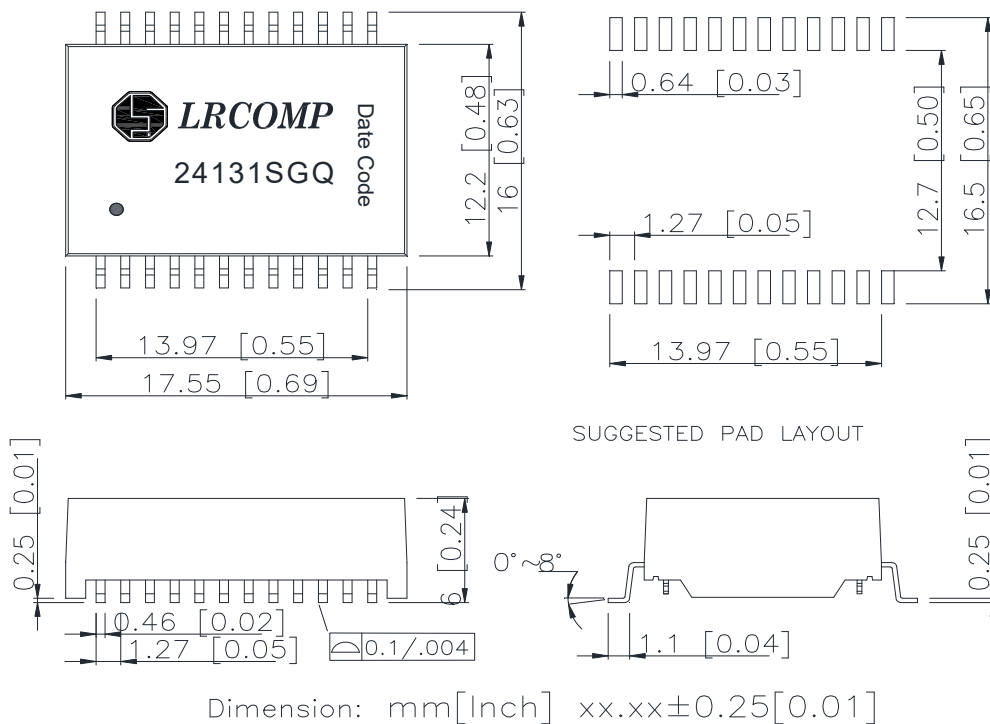
### Electrical Specifications @ 25°C

Part Number	Turns Ratio (±5%)		OCL(uH Min) @100KHz/0.1V	Insertion Loss (dB Max)		DCMR (dB Min)		HI-POT (Vrms)
	TX	RX		1-100MHz	100-250MHz	1-100MHz	100-250MHz	
24131SGQ	1CT:1CT	1CT:1CT	120	-1.0	-2.0	-30	-25	1500

### Continue

Part Number	Return Loss (dB Min)						Cross Talk (dB Min)	
	1-40MHz	60MHz	100MHz	150MHz	200MHz	250MHz	1-100MHz	100-250MHz
24131SGQ	-18	-16	-14	-12	-11	-10	-30	-28

### Schematics:

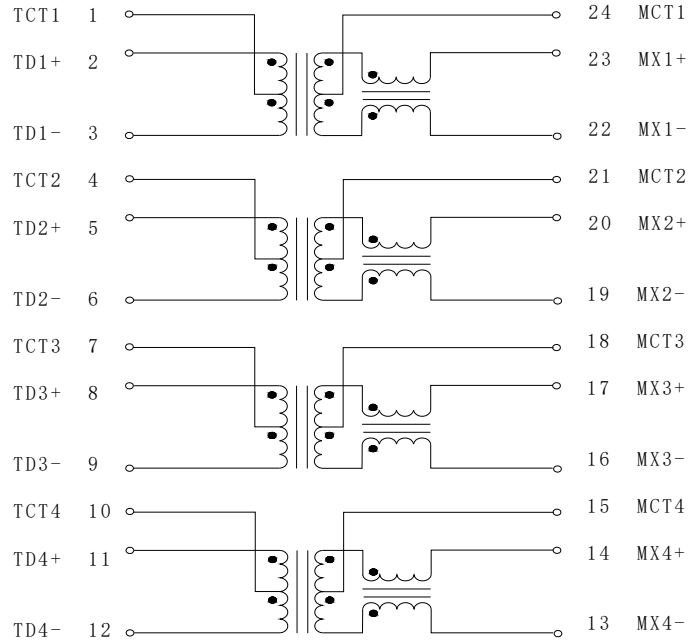


# 5G SMD Transformer

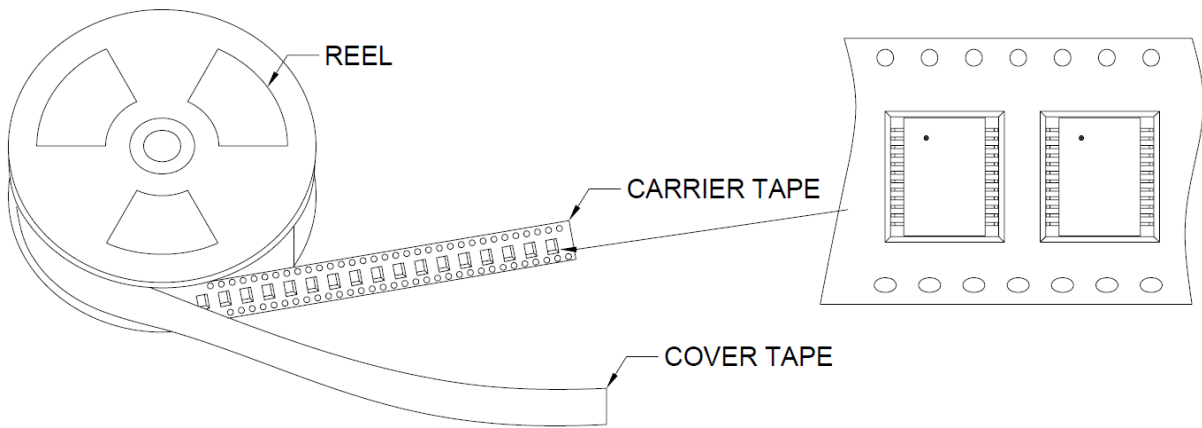
Part Number: 24131SGQ

Page: 2/2

**Schematics:**



**Package:**



Quantity per reel: 400 pcs

Quantity per big carton: 1600 pcs