

10/100/1000Base SMD Transformer

Part Number: 24132SG

Page: 1/2

- Compliant with IEEE 802.3at standard.
- RoHS compliant.
- Power over Ethernet(PoE) Magnetics, 750mA current capability.
- Operating temperature range: -40°C to +85°C.
- Storage temperature range:-20°C to +125°C

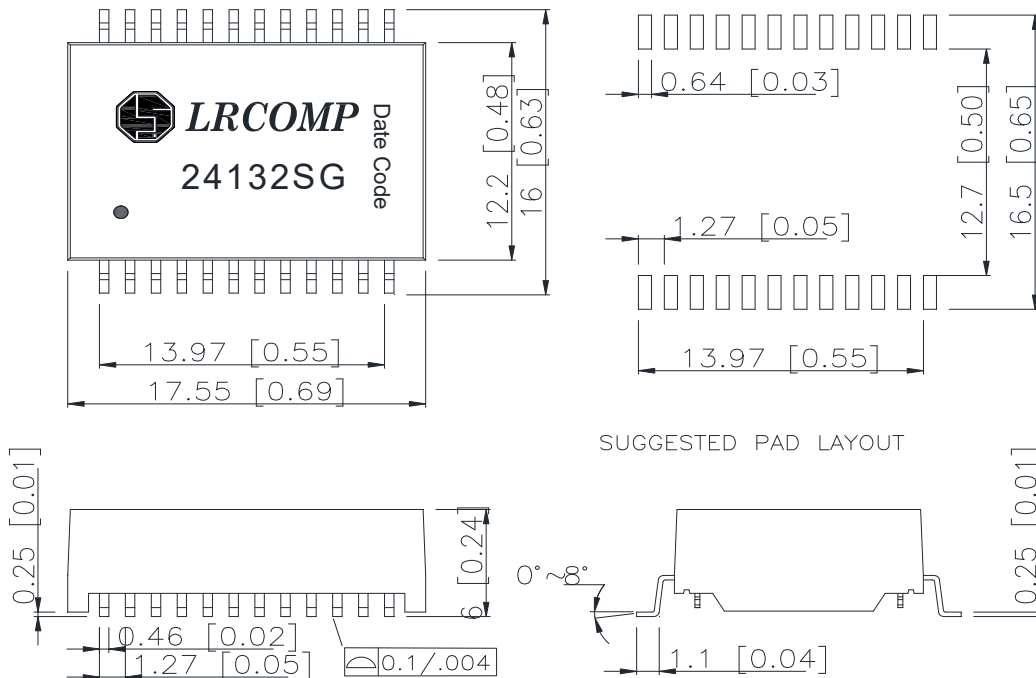
Electrical Specifications @ 25°C

| Part Number | Turns Ratio (±5%) | | OCL(uH Min) @100KHz/0.1V with 8.0mA DC | Insertion Loss (dB Max) | DCMR (dB Min) | HI-POT (Vrms) |
|-------------|-------------------|---------|--|-------------------------|---------------|---------------|
| | TX | RX | | 1-100MHz | 1-100MHz | |
| 24132SG | 1CT:1CT | 1CT:1CT | 350 | -1.0 | -30 | 1500 |

Continue

| Part Number | Return Loss (dB Min) | | | | | Cross Talk (dB Min) | | |
|-------------|----------------------|-------|-------|----------|--------|---------------------|-------|--------|
| | 1-30MHz | 40MHz | 50MHz | 60-80MHz | 100MHz | 30MHz | 60MHz | 100MHz |
| 24132SG | -18 | -14.4 | -13.1 | -12 | -10 | -40 | -35 | -30 |

Schematics:



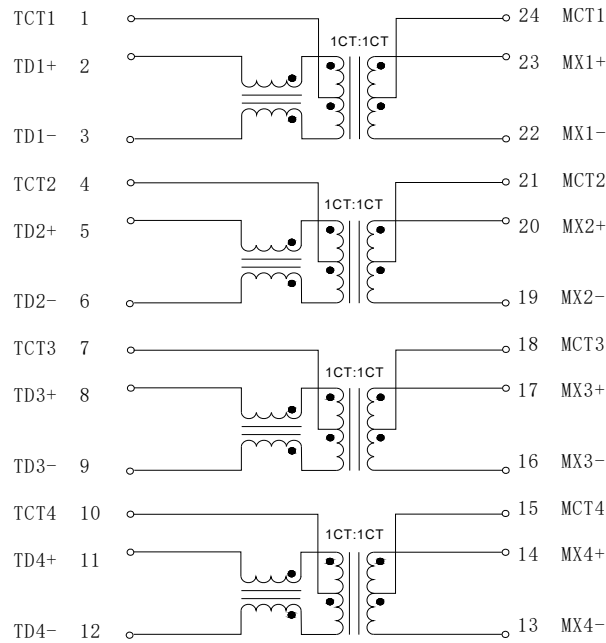
Dimension: mm[Inch] xx.xx±0.25[0.01]

10/100/1000Base SMD Transformer

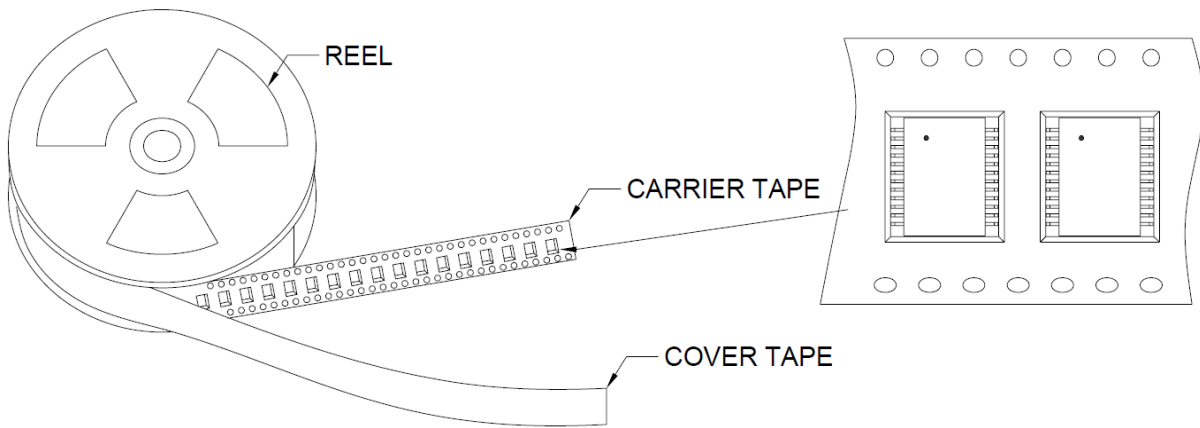
Part Number: 24132SG

Page: 2/2

Schematics:



Package:



Quantity per reel: 400 pcs

Quantity per big carton: 1600 pcs