

18G SMD Transformer

Part Number: 24161SF

Page: 1/2

- Compliant with IEEE 802.3 standard.
- RoHS compliant.
- Power over Ethernet(PoE) Magnetics,60W@57VDC.
- Design for Valens VS3000 series.
- Operating temperature range: 0°C to +70°C.
- Storage temperature range:-20°C to +125°C

Electrical Specifications @ 25°C

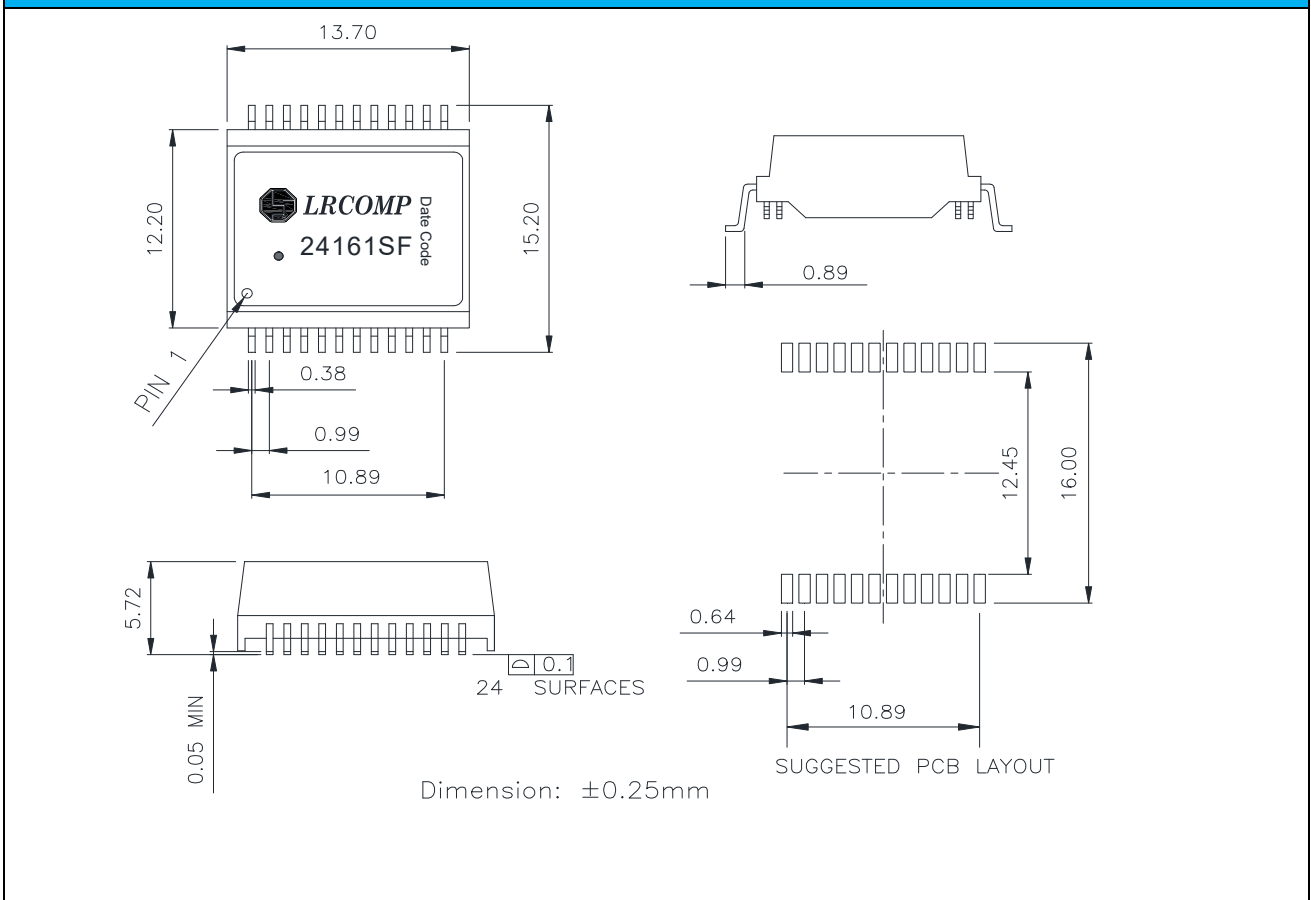
Part Number	Turns Ratio (±5%)		OCL(uH Min) @100KHz/0.1V	Insertion Loss (dB Max)		DCMR (dB Min)			HI-POT (Vrms)
	TX	RX		1-600MHz	600-800MHz	1-100MHz	100-400MHz	800MHz	
24161SF	1CT:1CT	1CT:1CT	100	-2.0	-3.0	-30	-20	-15	1500

Continue

Part Number	Return Loss (dB Min)			CMRR (dB Min)			Cross Talk (dB Min)		
	1-40MHz	40-600MHz	600-800MHz	1-100MHz	100-400MHz	800MHz	1-100MHz	100-400MHz	800MHz
24161SF	-18	-18+8.5*lg(f/40)	-8+20*lg(f/600)	-30	-20	-15	-30	-22	-18

Note: f is frequency in MHz.

Schematics:

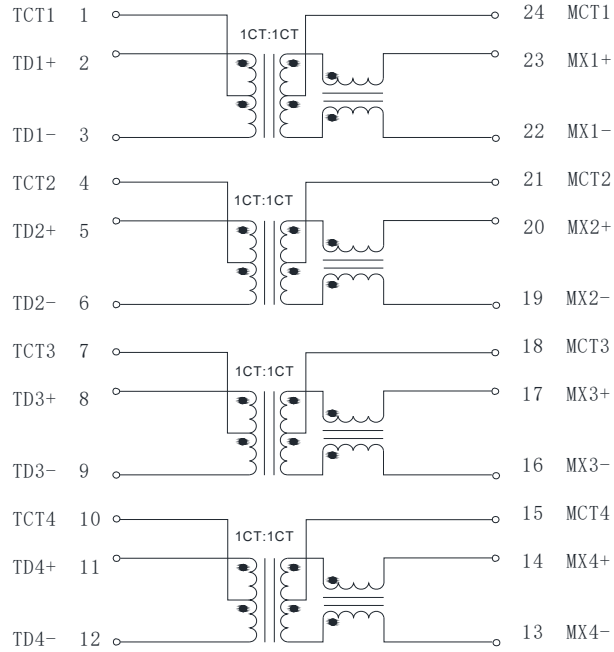


18G SMD Transformer

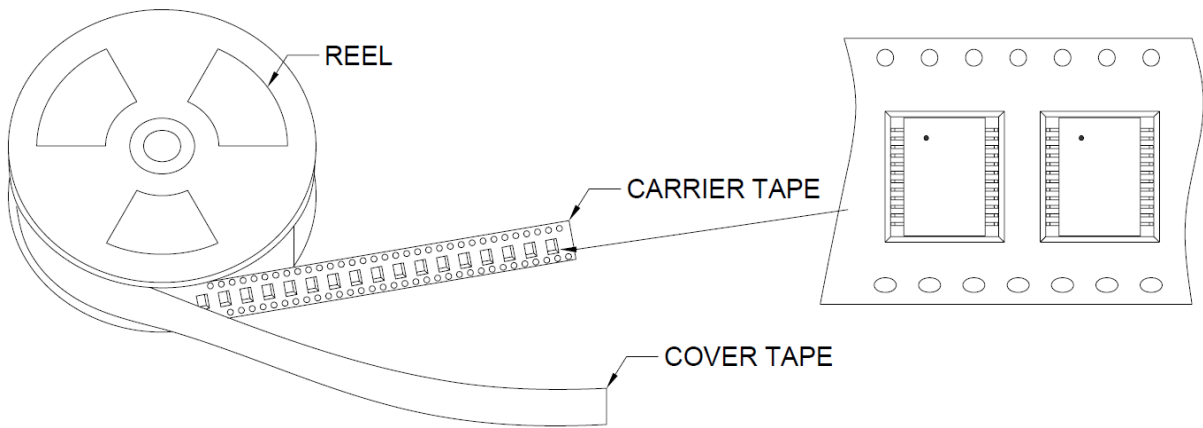
Part Number: 24161SF

Page: 2/2

Schematics:



Package:



Quantity per reel: 350 pcs

Quantity per big carton: 2100 pcs