

2.5G SMD Transformer

Part Number: 24604SS

Page: 1/2

- Compliant with IEEE 802.3 standard.
- RoHS compliant.
- Operating temperature range: 0°C to +70°C.
- Storage temperature range:-20°C to +125°C

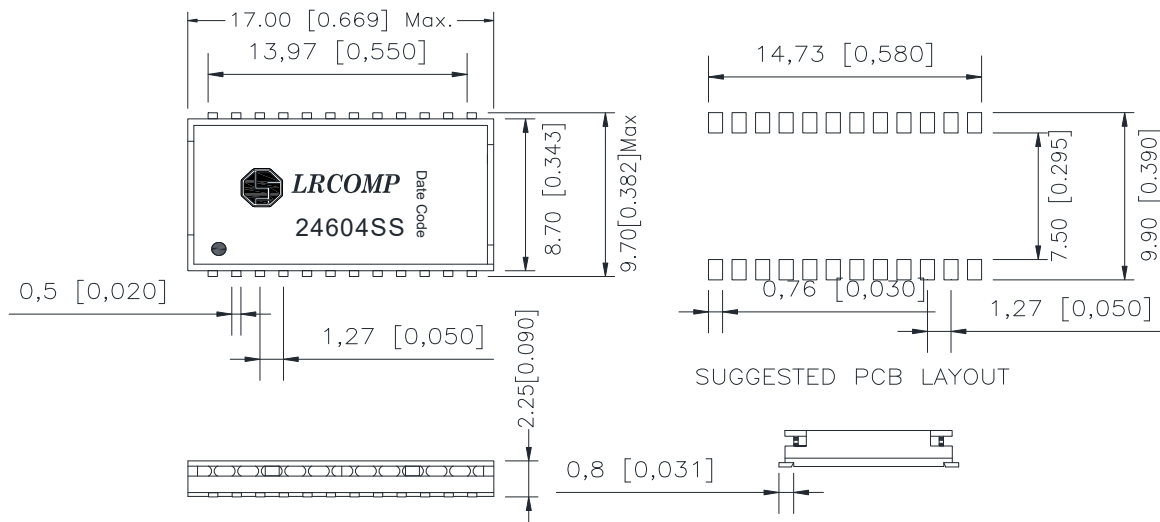
Electrical Specifications @ 25°C

Part Number	Turns Ratio (±5%)		OCL(uH Min) @100KHz/0.1V	Insertion Loss (dB Max)	DCMR (dB Min)	HI-POT (Vrms)
	TX	RX		1-125MHz	1-125MHz	
24604SS	1CT:1CT	1CT:1CT	180	-1.1	-28	1500

Continue

Part Number	Return Loss (dB Min)					Cross Talk (dB Min)		
	1-30MHz	40MHz	50MHz	60-80MHz	125MHz	30MHz	60MHz	125MHz
24604SS	-18	-16	-15.1	-13.1	-10	-40	-35	-30

Schematics:



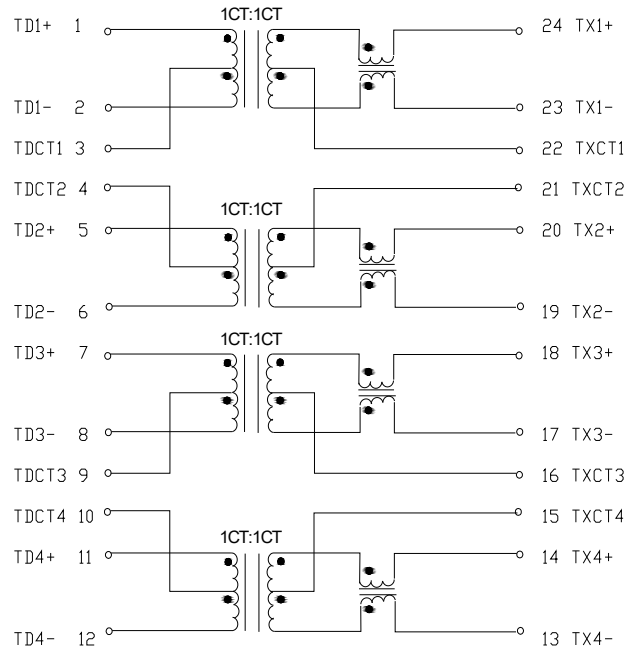
Dimension: mm[Inch]±0.25[0.010]

2.5G SMD Transformer

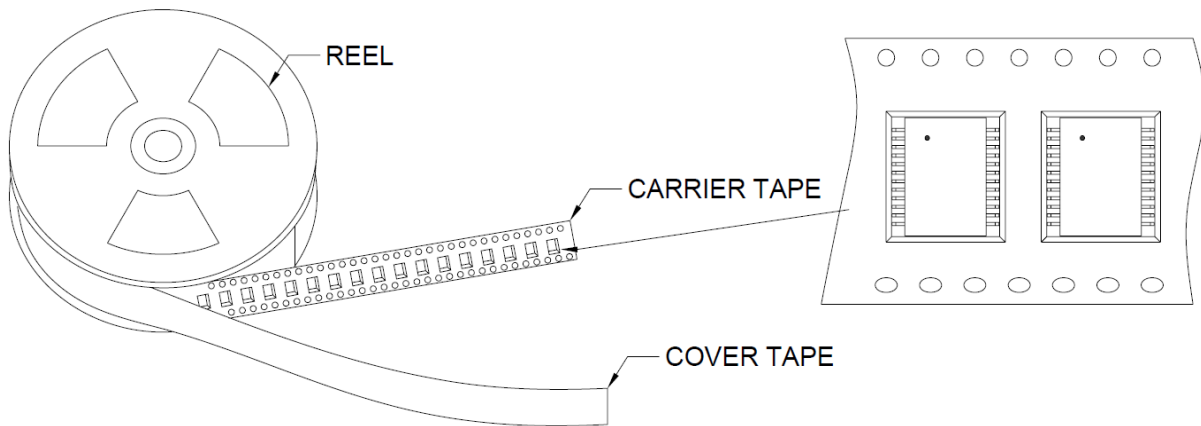
Part Number: 24604SS

Page: 2/2

Schematics:



Package:



Quantity per reel: 1500 pcs

Quantity per big carton: 6000 pcs