

# 10G SMD Transformer

Part Number: 24604SV

Page: 1/2

- Compliant with IEEE 802.3 standard.
- RoHS compliant.
- Operating temperature range: 0°C to +70°C.
- Storage temperature range:-20°C to +125°C

### Electrical Specifications @ 25°C

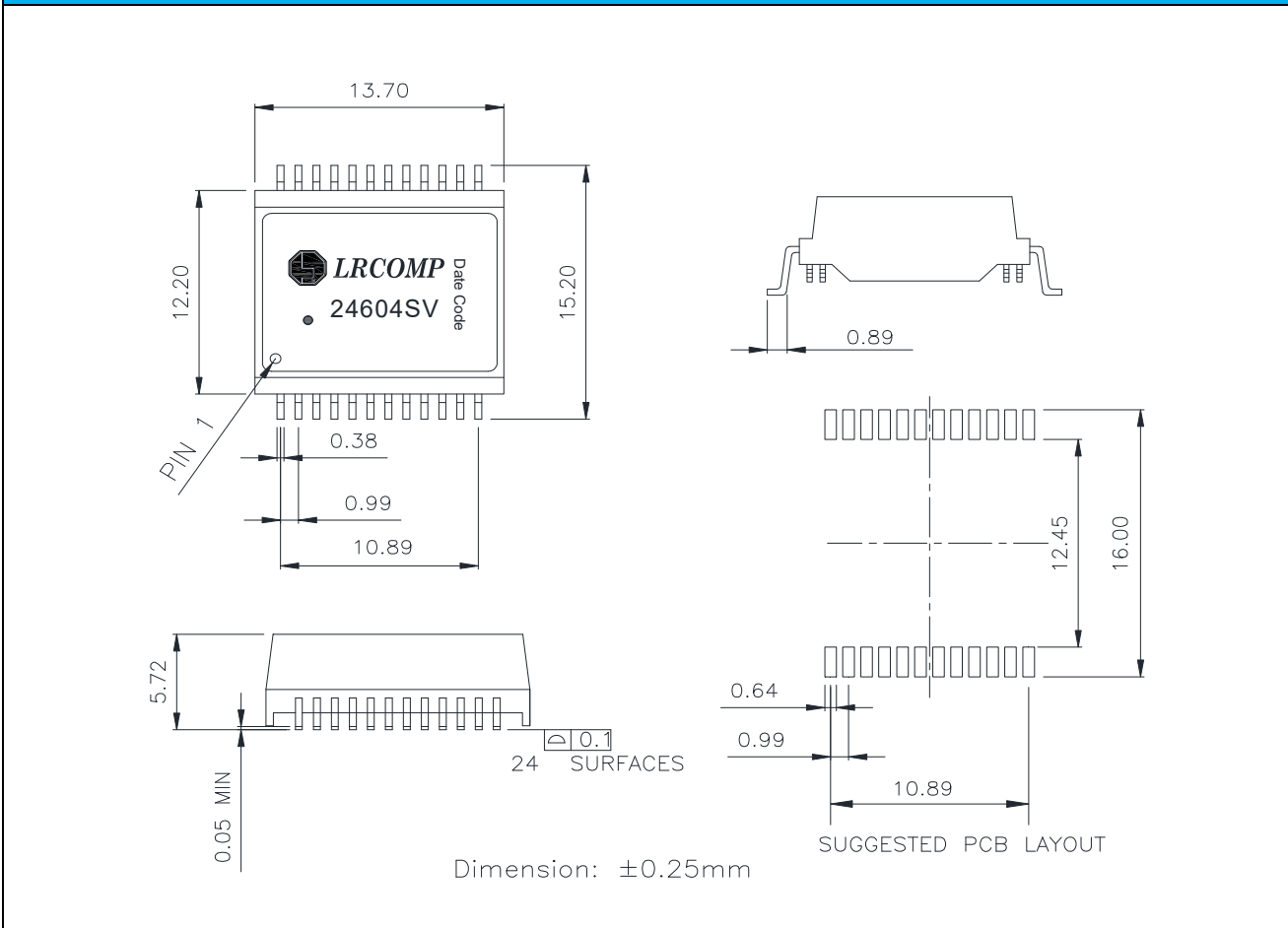
Part Number	Turns Ratio (±5%)		OCL(uH Min) @100KHz/0.1V	Insertion Loss (dB Max)		HI-POT (Vrms)
	TX	RX		1-400MHz	400-500MHz	
24604SV	1CT:1CT	1CT:1CT	120	-1.5	-2.5	1500

### Continue

Part Number	Return Loss (dB Min)		DCMR (dB Min)		Cross Talk (dB Min)	
	1-40MHz	40-500MHz	1-100MHz	100-500MHz	1-100MHz	100-500MHz
24604SV	-19	-19+10*lg(f/40)	-30	-25	-30	-22

Note: f is frequency in MHz.

### Schematics:

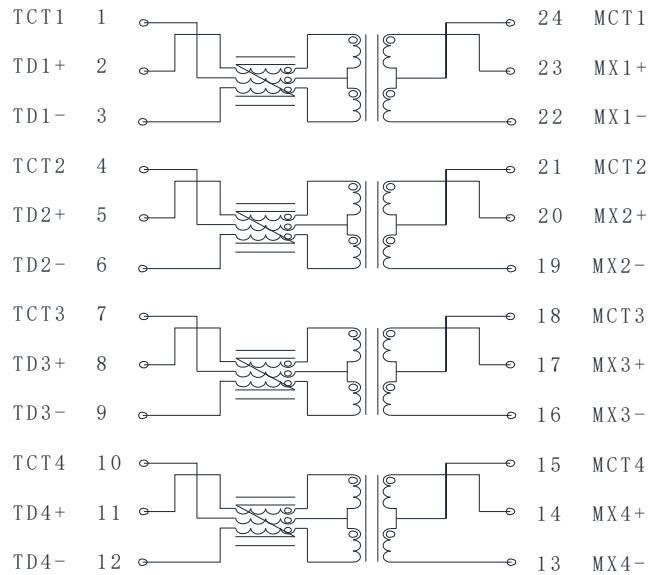


# 10G SMD Transformer

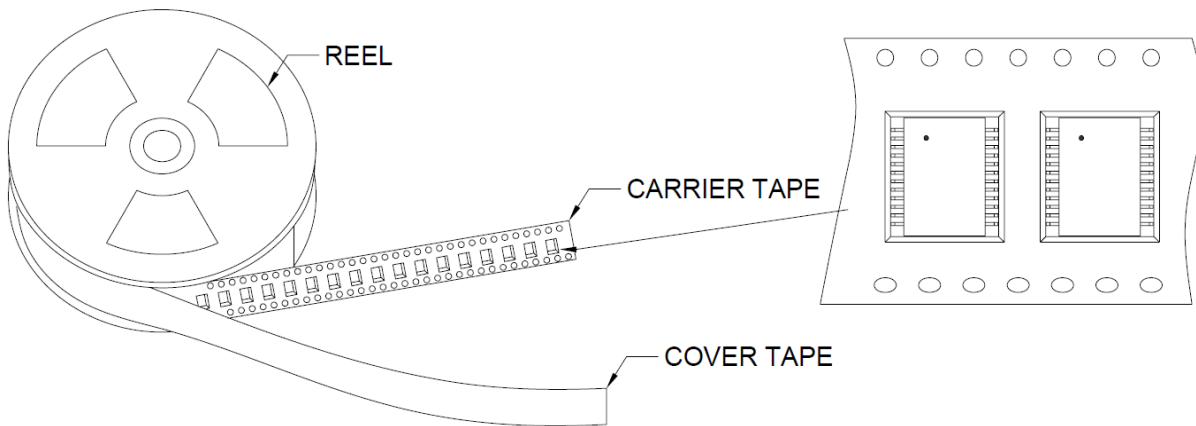
Part Number: 24604SV

Page: 2/2

**Schematics:**



**Package:**



Quantity per reel: 350 pcs

Quantity per big carton: 2100 pcs