

10/100/1000Base SMD Transformer

Part Number: 48101SG

Page: 1/2

- Compliant with IEEE 802.3at standard.
- RoHS compliant.
- Operating temperature range: -40°C to +85°C.
- Storage temperature range:-20°C to +125°C

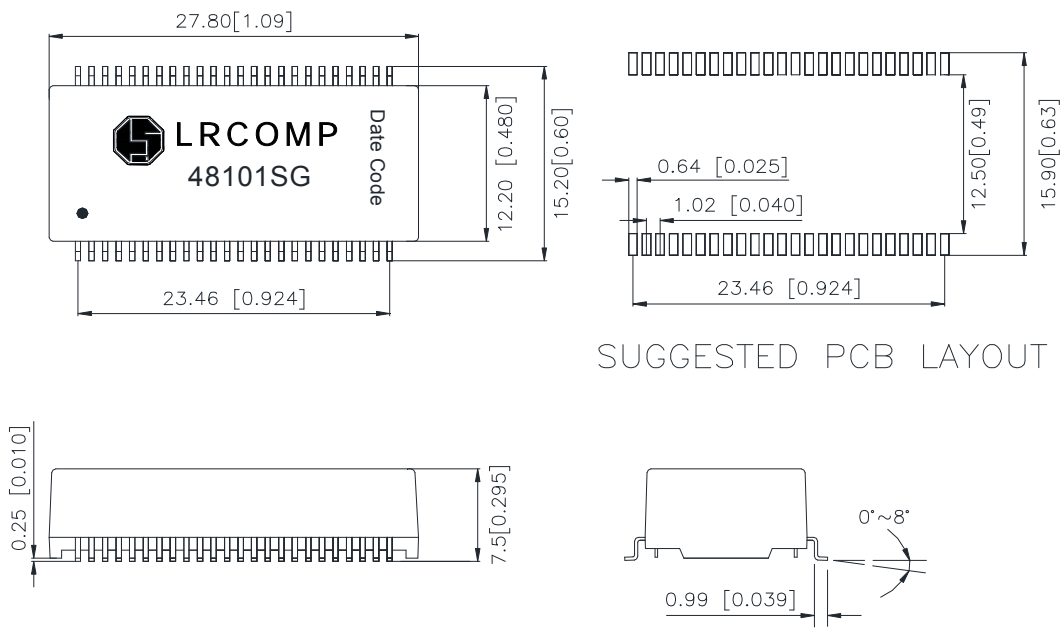
Electrical Specifications @ 25°C

Part Number	Turns Ratio (±5%)		OCL(uH Min) @100KHz/0.1V with 8.0mA DC	Insertion Loss (dB Max) 1-100MHz	DCMR (dB Min) 1-100MHz	HI-POT (Vrms) 1500
	TX	RX				
48131SG	1CT:1CT	1CT:1CT	350	-1.0	-30	1500

Continue

Part Number	Return Loss (dB Min)					Cross Talk (dB Min)		
	1-30MHz	40MHz	50MHz	60-80MHz	100MHz	30MHz	60MHz	100MHz
48131SG	-18	-14.4	-13.1	-12	-10	-40	-35	-30

Schematics:



SUGGESTED PCB LAYOUT

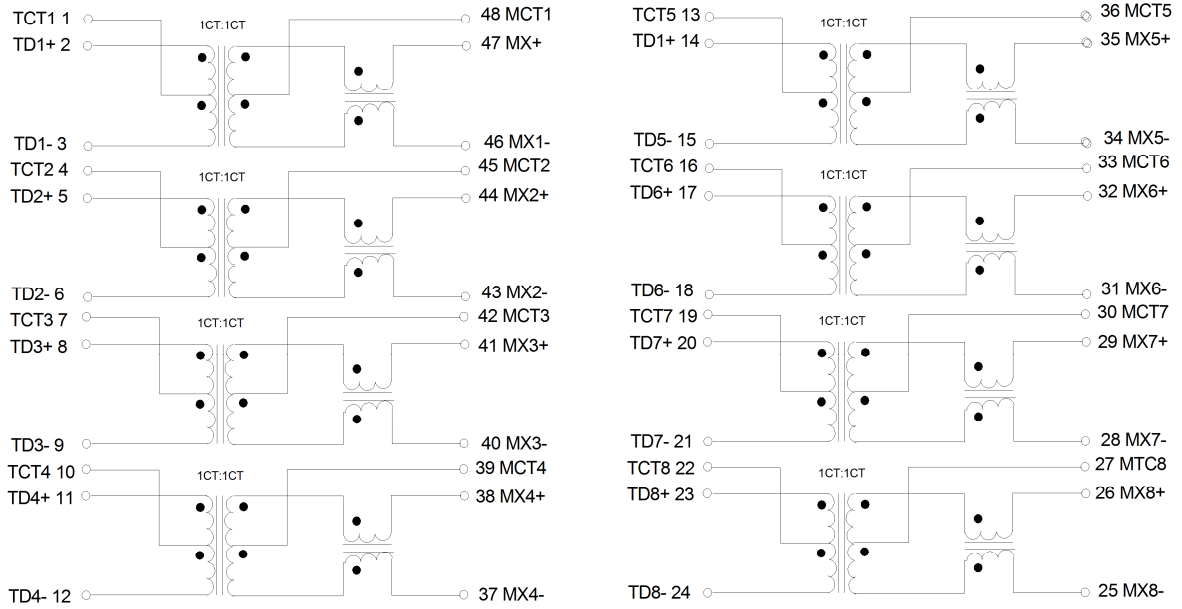
Dimension: mm[Inch]±0.25[0.010]

10/100/1000Base SMD Transformer

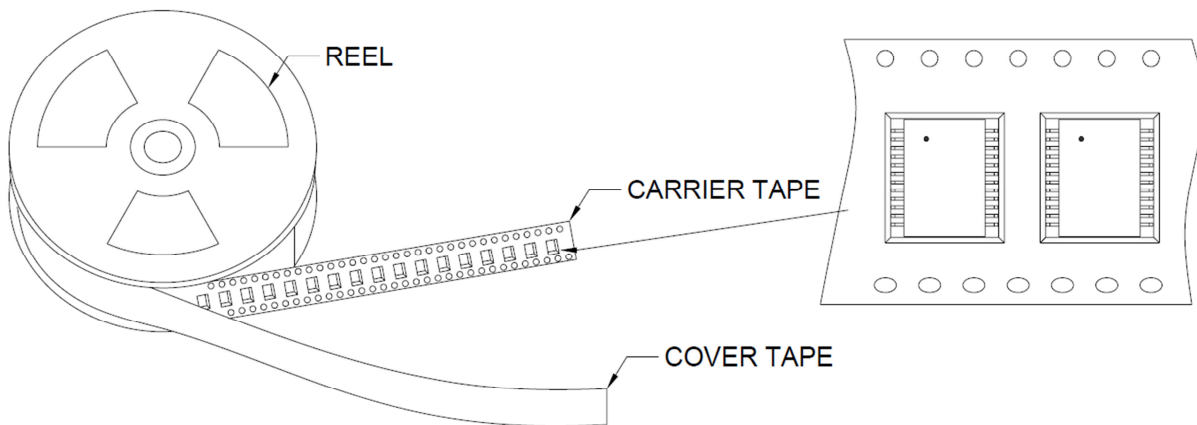
Part Number: 48101SG

Page: 2/2

Schematics:



Package:



Quantity per reel: 350 pcs

Quantity per big carton: 1750 pcs