

5G SMD Transformer

Part Number: 48101SQ

Page: 1/2

- Compliant with IEEE 802.3 standard.
- RoHS compliant.
- Operating temperature range: 0°C to +70°C.
- Storage temperature range:-20°C to +125°C

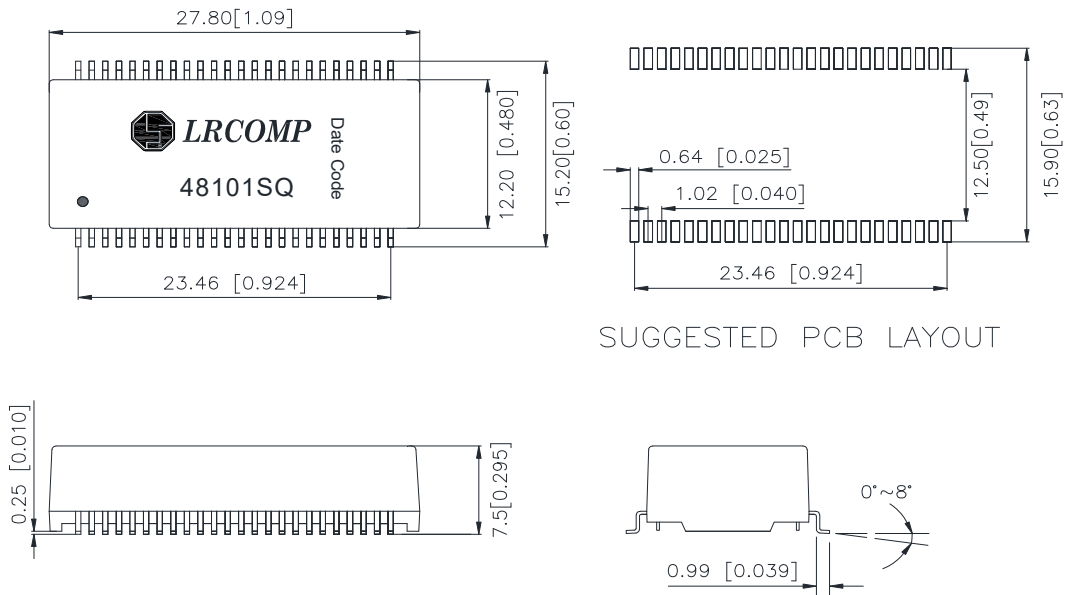
Electrical Specifications @ 25°C

Part Number	Turns Ratio (±5%)		OCL(uH Min) @100KHz/0.1V	Insertion Loss (dB Max)		DCMR (dB Min)		HI-POT (Vrms)
	TX	RX		1-100MHz	100-250MHz	1-100MHz	100-250MHz	
48101SQ	1CT:1CT	1CT:1CT	120	-1.0	-2.0	-30	-25	1500

Continue

Part Number	Return Loss (dB Min)						Cross Talk (dB Min)	
	1-40MHz	60MHz	100MHz	150MHz	200MHz	250MHz	1-100MHz	100-250MHz
48101SQ	-18	-16	-14	-12	-11	-10	-30	-28

Schematics:



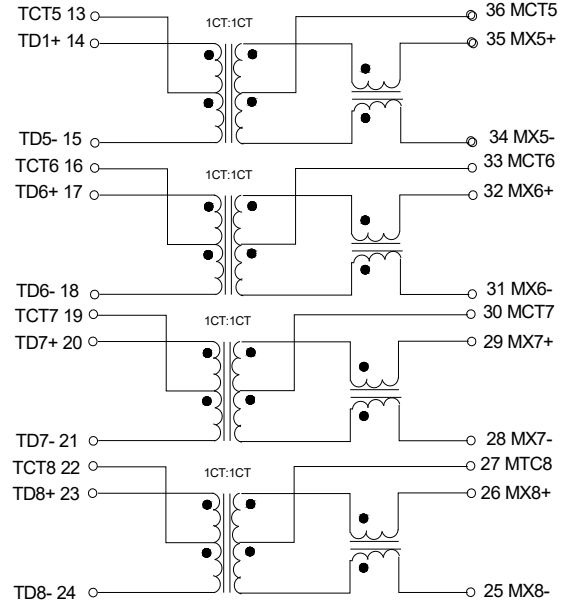
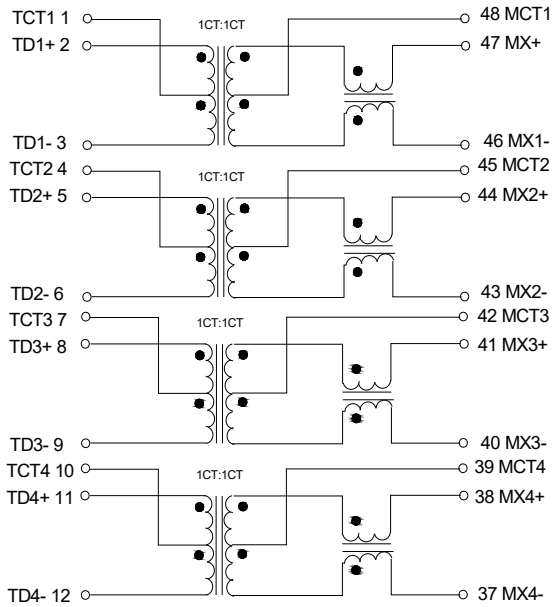
Dimension: mm [Inch] ±0.25 [0.010]

5G SMD Transformer

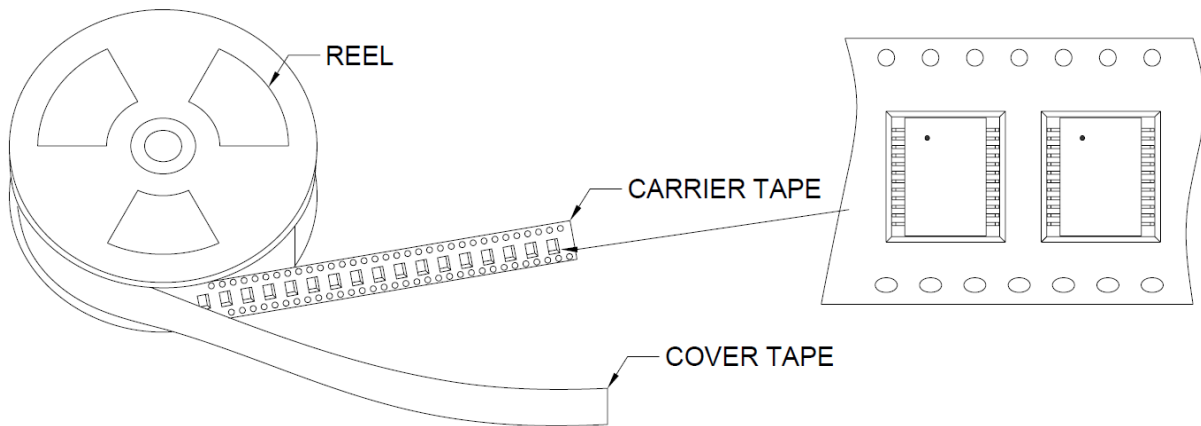
Part Number: 48101SQ

Page: 2/2

Schematics:



Package:



Quantity per reel: 350 pcs

Quantity per big carton: 1400 pcs