

2.5G SMD Transformer

Part Number: 48101SS

Page: 1/2

- Compliant with IEEE 802.3 standard.
- RoHS compliant.
- Operating temperature range: 0°C to +70°C.
- Storage temperature range:-20°C to +125°C

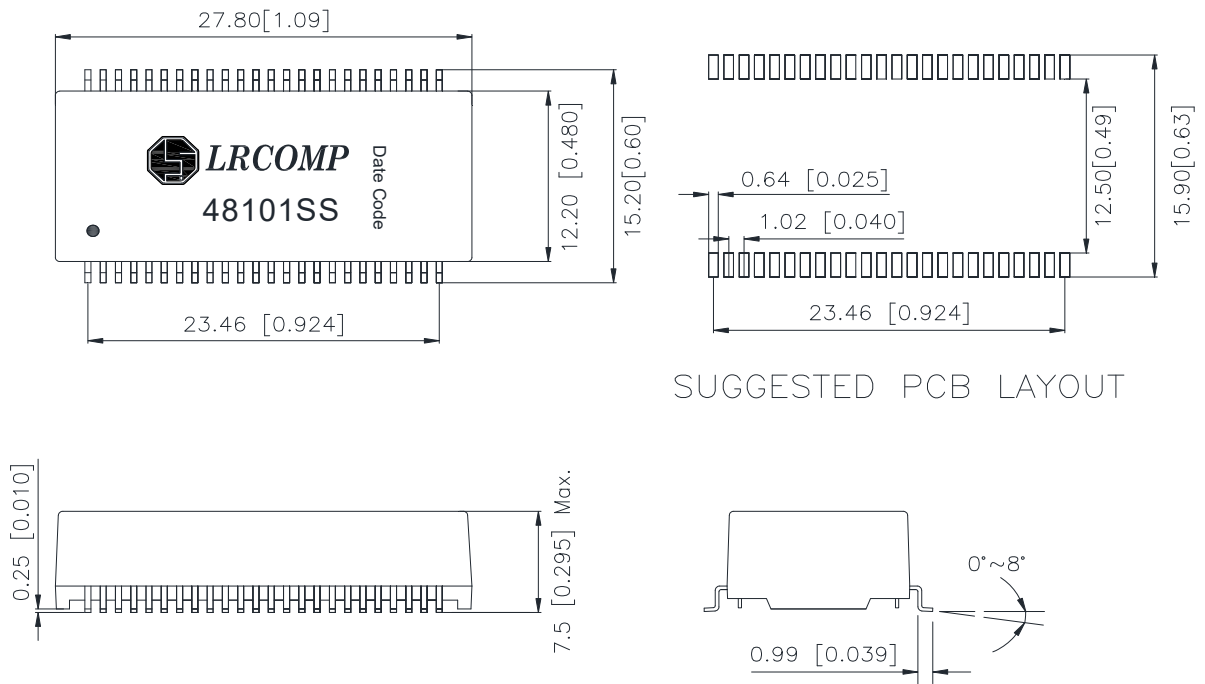
Electrical Specifications @ 25°C

Part Number	Turns Ratio (±5%)		OCL(uH Min) @100KHz/0.1V	Insertion Loss (dB Max)		DCMR (dB Min) 1-125MHz	HI-POT (Vrms)
	TX	RX		1-100MHz	100-125MHz		
48101SS	1CT:1CT	1CT:1CT	160	-1.0	-1.2	-30	1500

Continue

Part Number	Return Loss (dB Min)			Cross Talk (dB Min)		
	1-40MHz	40-100MHz	100-200MHz	40MHz	60MHz	125MHz
48101SS	-18	-12	-7.5	-35	-33	-30

Schematics:



SUGGESTED PCB LAYOUT

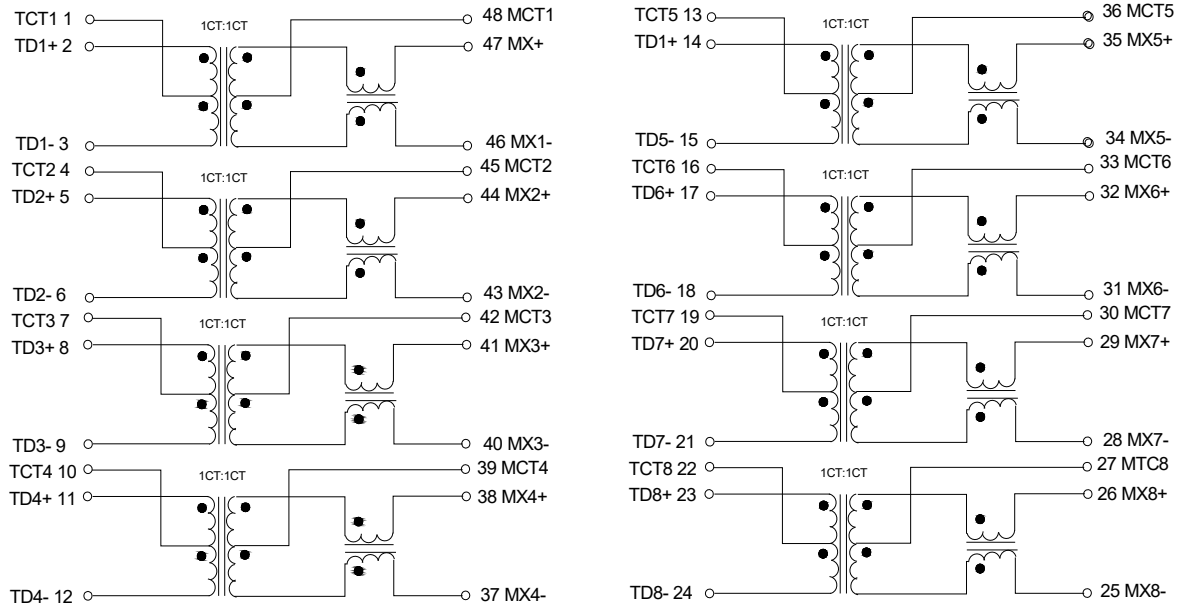
Dimension: mm[Inch]±0.25[0.010]

2.5G SMD Transformer

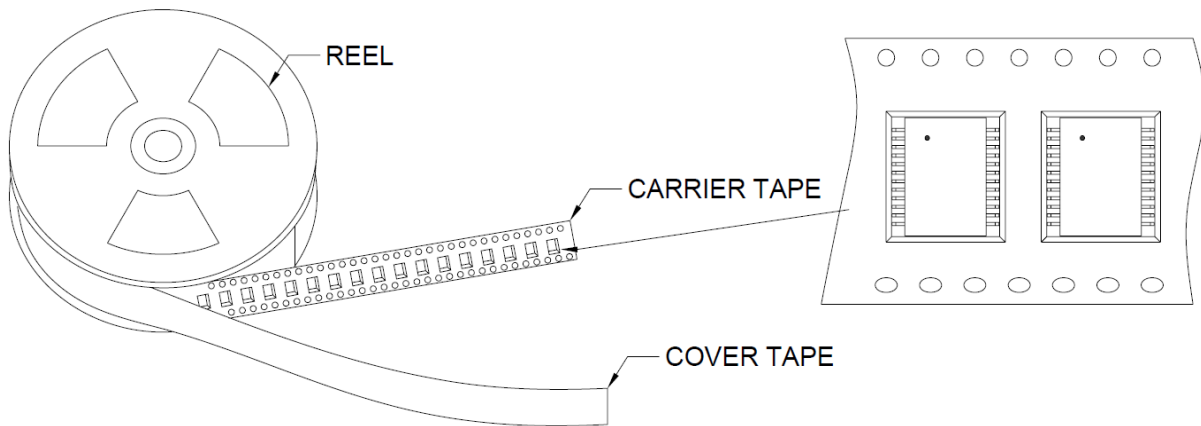
Part Number: 48101SS

Page: 2/2

Schematics:



Package:



Quantity per reel: 350 pcs

Quantity per big carton: 1400 pcs