

2.5G Base-T DIP Transformer

Part Number: 96131DS

Page: 1/2

- Compliant with IEEE 802.3 standard.
- RoHS compliant.
- Power over Ethernet(PoE) Magnetics,30W@57V.
- Operating temperature range: 0°C to +70°C.
- Storage temperature range:-20°C to +125°C

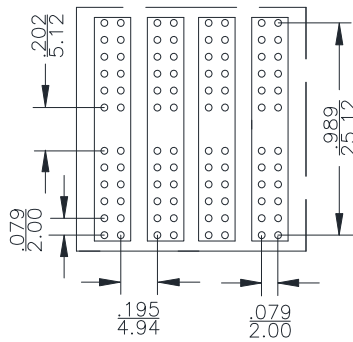
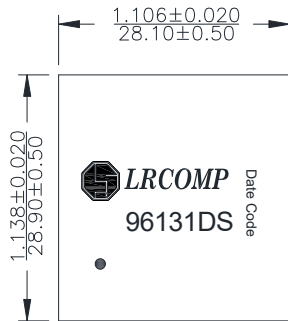
Electrical Specifications @ 25°C

Part Number	Turns Ratio (±5%)		OCL(uH Min) @100KHz/0.1V with 8.0mA DC	Insertion Loss (dB Max) 1-125MHz	DCMR (dB Min) 1-125MHz	HI-POT (Vrms)
	TX	RX				
96131DS	1CT:1CT	1CT:1CT	350	-1.0	-30	1500

Continue

Part Number	Return Loss (dB Min)		Cross Talk (dB Min)		
	1-40MHz	40-125MHz	30MHz	60MHz	125MHz
96131DS	-18	-18+12*lg(f/40)	-37	-33	-30

Schematics:

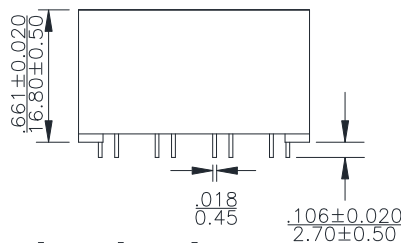
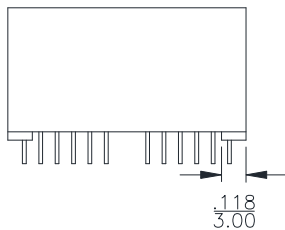


Suggested PCB Layout

PIN Describing

91◦ 085 79◦ 073 67◦ 061 55◦ 049
 92◦ 086 80◦ 074 68◦ 062 56◦ 050
 93◦ 087 81◦ 075 69◦ 063 57◦ 051
 94◦ 088 82◦ 076 70◦ 064 58◦ 052
 95◦ 089 83◦ 077 71◦ 065 59◦ 053
 96◦ 090 84◦ 078 72◦ 066 60◦ 054

6◦ 012 18◦ 024 30◦ 036 42◦ 048
 5◦ 011 17◦ 023 29◦ 035 41◦ 047
 4◦ 010 16◦ 022 28◦ 034 40◦ 046
 3◦ 09 15◦ 021 27◦ 033 39◦ 045
 2◦ 08 14◦ 020 26◦ 032 38◦ 044
 1◦ 07 13◦ 019 25◦ 031 37◦ 043



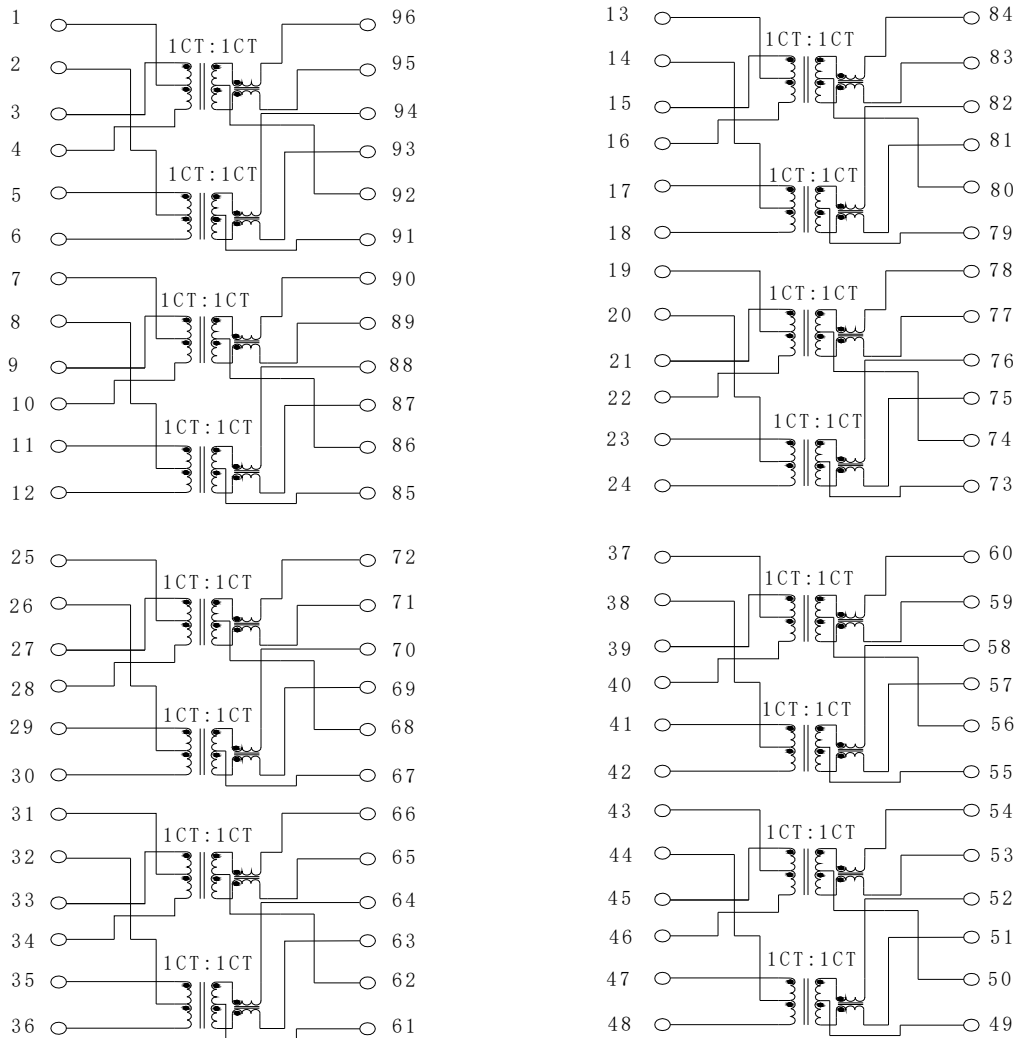
Dimension:mm[Inch]±0.25[0,010]

2.5G DIP Transformer

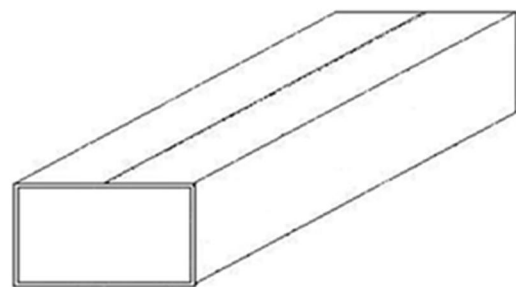
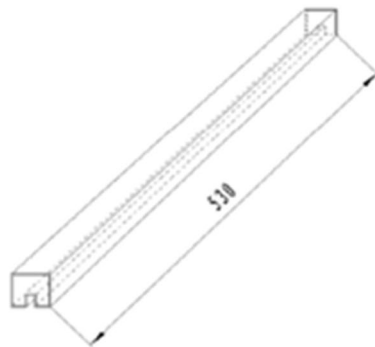
Part Number: 96131DS

Page: 2/2

Schematics:



Package:



Quantity per reel: 17 pcs

Quantity per big carton: 816 pcs