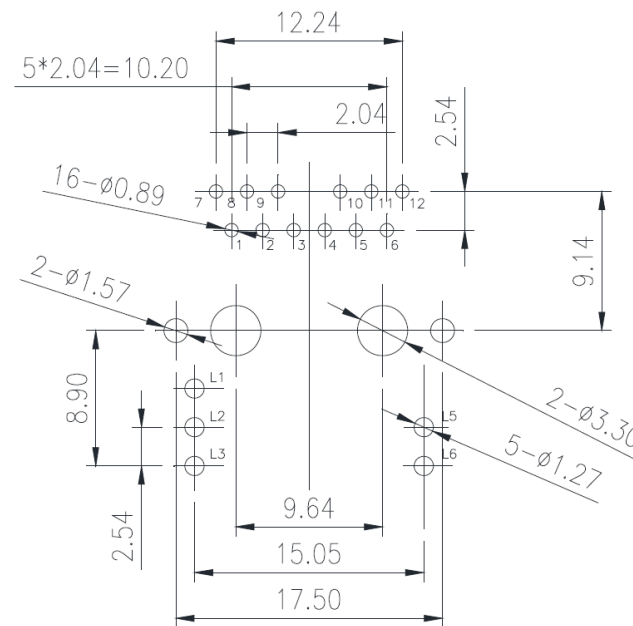
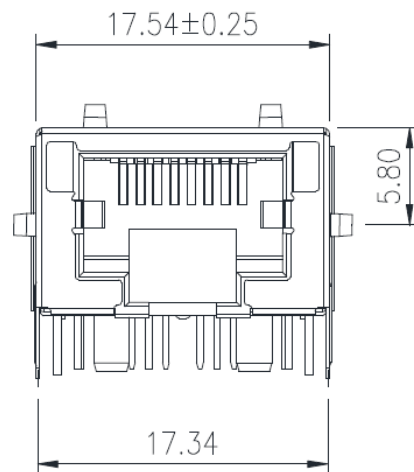
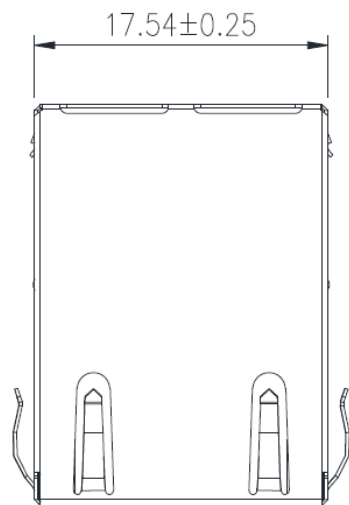


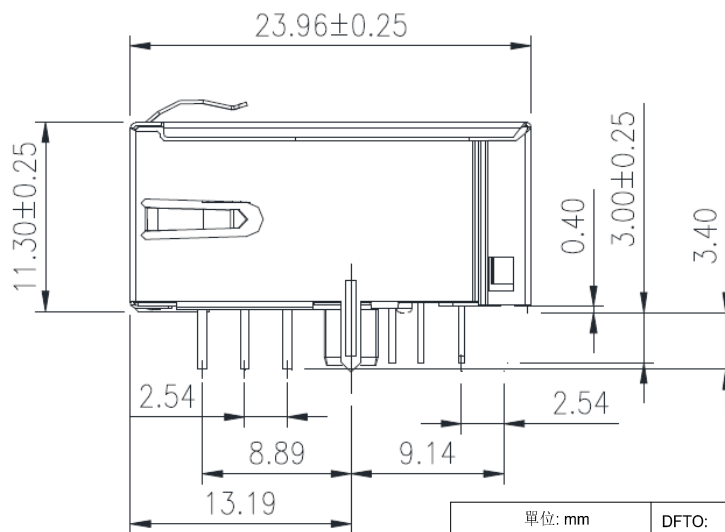
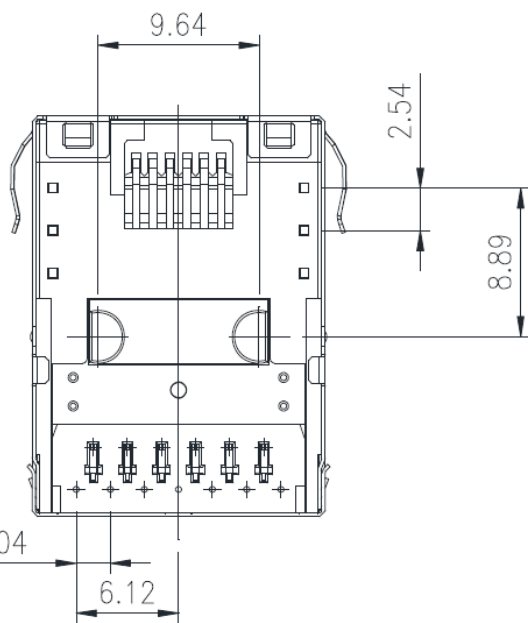


REVISION RECORD 修改紀錄

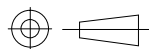
REV	ECD	DESCRIPTION	DATE	DRFT	CHKD



Suggested PCB Layout  
All dim. tolerance are ±0.05mm.



單位: mm		DFTO:	DATE:
長度公差	角度公差	CHKD:	DATE:
.0 ± 0.30	0° ± 5°	APPVL:	DATE:
.00 ± 0.20		脫模角:	顏色:
.000 ± 0.10			MATERIAL: 材 質
			TREAT: 處 理
			QTY: 數 量
			SCALE: 比 例 1:1



THIRD ANGLE PROJECTION

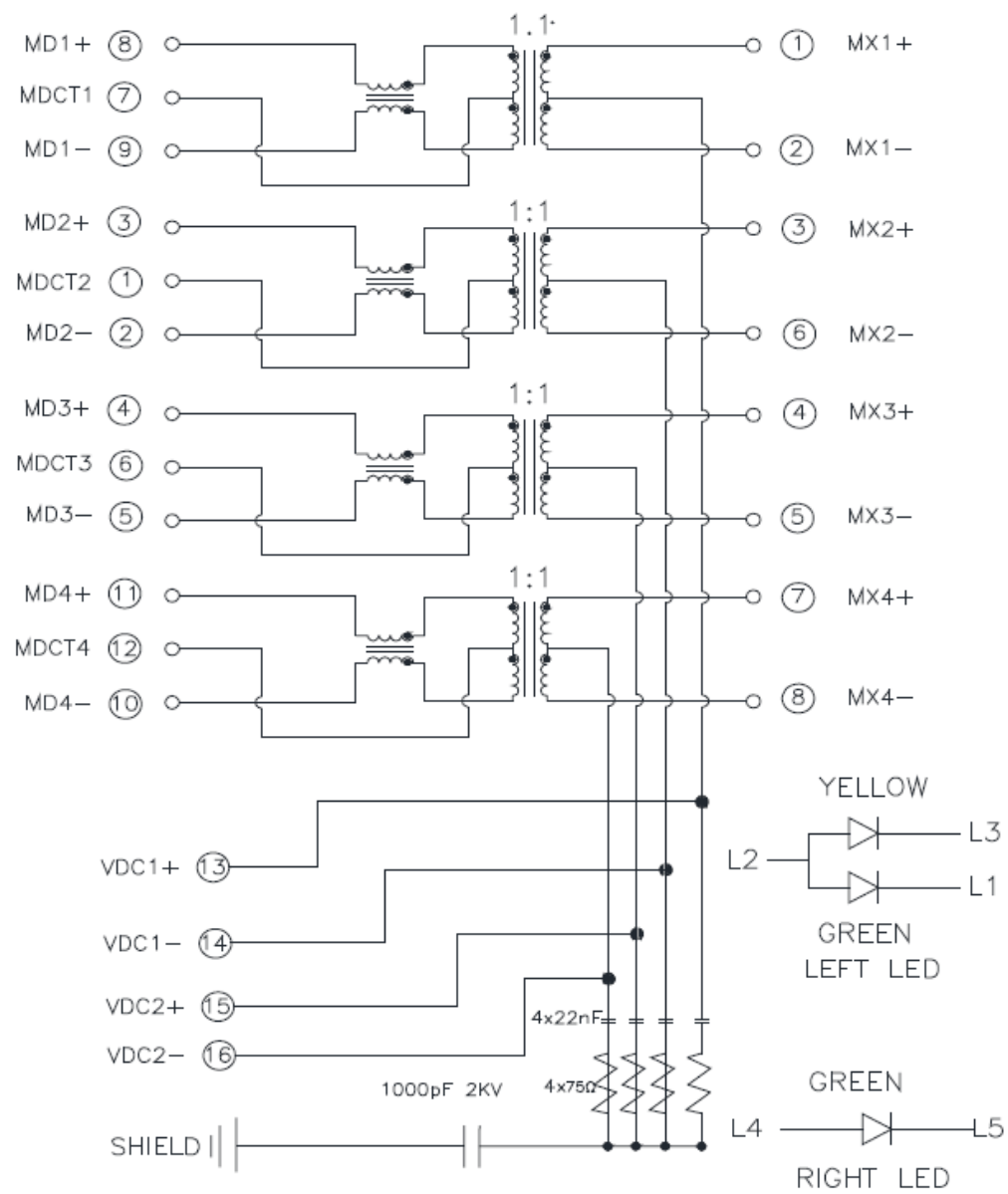
**LRCOMP**  
**藍然元器件**  
GuangzhouLanranTechnologyCo.,LTD

TITLE:	SIZE	REV
1*1 Port 18G ICM W/ LED	A4	A
PART NO:	1 of 2	
LRD7110330001		



REVISION RECORD 修改紀錄					
REV	ECD	DESCRIPTION	DATE	DRFT	CHKD

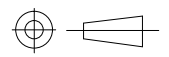
## Schematic



## Electrical Characteristics

- 1.TR:(100KHz,0.1V);  
PINS:(P7-P9):(J1-J2)=1:1±5%  
PINS:(P3-P2):(J3-J6)=1:1±5%  
PINS:(P4-P5):(J4-J5)=1:1±5%  
PINS:(P11-P10):(J7-J8)=1:1±5%
- 2.LX:(100KHz,100mV)  
100uH MINIMUM;
- 3.DCR:  
1.2OHMS MAXIMUM;
- 4.HI-POT:  
2250VDC FOR 60 SECONDS;
- 5.INSERTION LOSS:  
-1.5dB MAXIMUM AT 1MHz TO 300MHz;  
-2.0dB MAXIMUM AT 300MHz TO 600MHz;  
-3.0dB MAXIMUM AT 600MHz TO 800MHz;
- 6.RETURN LOSS:  
-18dB MINIMUM AT 1MHz TO 40MHz;  
-18+7.6\*Ig(f/40)dB MINIMUM AT 40MHz TO 600MHz;  
-9+20\*Ig(f/600)dB AT 600MHz TO 800MHz;
- 7.CROSS TALK:  
-30dB MINIMUM AT 1MHz TO 100MHz;  
-25dB MINIMUM AT 100MHz TO 400MHz;  
-18dB MINIMUM AT 400MHz TO 800MHz;
- 8.COMMON TO COMMON MODE REJECTION:  
-30dB MINIMUM AT 1MHz TO 100MHz;  
-20dB MINIMUM AT 100MHz TO 400MHz;  
-15dB MINIMUM AT 400MHz TO 800MHz;
- 9.DC CURRENT/VOLTAGE RATING-PSE PINS  
600mA MAXIMUM@57VDC(CONTINUOUS)

單位: mm	DFTO:	DATE:	<h3>LRCOMP</h3> <h3>蓝然元器件</h3> <p>GuangzhouLanranTechnologyCo.,LTD</p>			
長度公差	角度公差	CHKD:				DATE:
.0±0.30	0°±5°	APPVL:				DATE:
.00±0.20	脫膜角:	顏色:				
.000±0.10		MATERIAL:	TITLE:	SIZE	REV	
		材 質	1*1 Port 18G ICM W/ LED	A4	A	
		TREAT:	PART NO:			
		處 理	LRD7110330001			
		QTY:				
		數 量				
		SCALE:				
		比 例 1:1				



THIRD ANGLE PROJECTION