

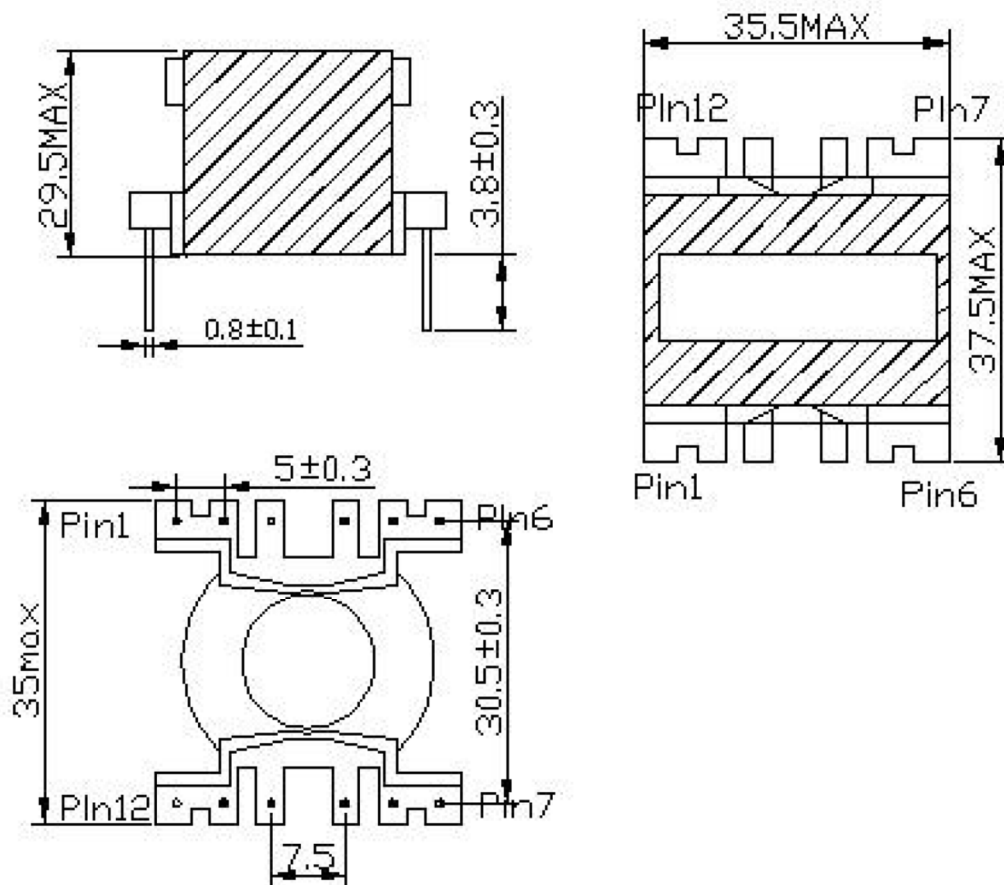
DIP Transformer

Part Number: PQ322501D

Page: 1/2

- RoHS compliant.
- Operating temperature range: -40°C to +85°C.
- Storage temperature range: -40°C to +85°C

Mechanicals:

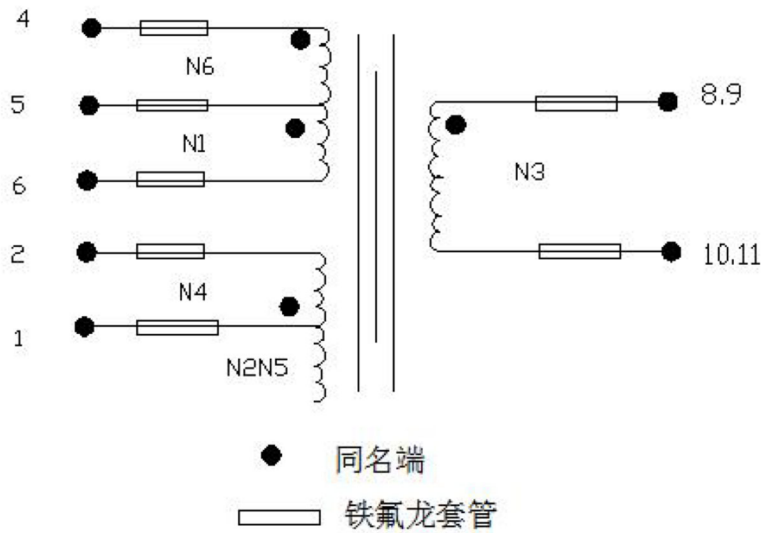


DIP Transformer

Part Number: PQ322501D

Page: 2/2

Schematics:



Electrical Characteristics @25°C

No	项目	测试脚位	规格要求	测试条件	测试设备
1	电感量	L(4-6)	0.28mH±8%	1KHZ 0.25V	YD2775B
2	漏感	Lk(4-6)	18uH MAX	10KHZ 0.25V(短路其它脚位)	YD2775B
3	抗电强度	PRI TO SEC	AC3.75 KV	50HZ/5mA/3s	CS2670A
		PRI-CORE	AC1.5 KV		
		SEC-CORE	AC2.5 KV		